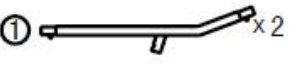
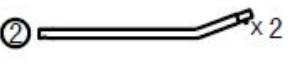



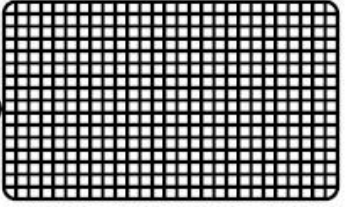
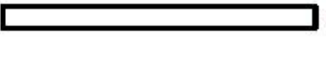



# Instruction Manual- Rebounder



[www.traditionalgardengames.co.uk](http://www.traditionalgardengames.co.uk)

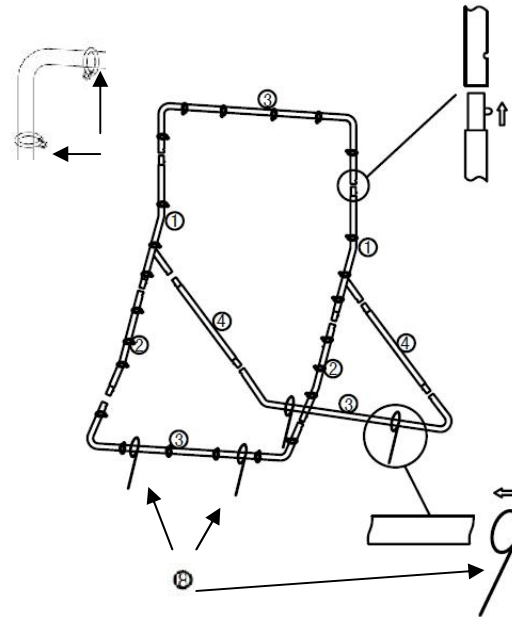
## Parts List

	x 2
	x 2
	x 3
	x 2
	x 24
	x 1
	x 1
	x 4

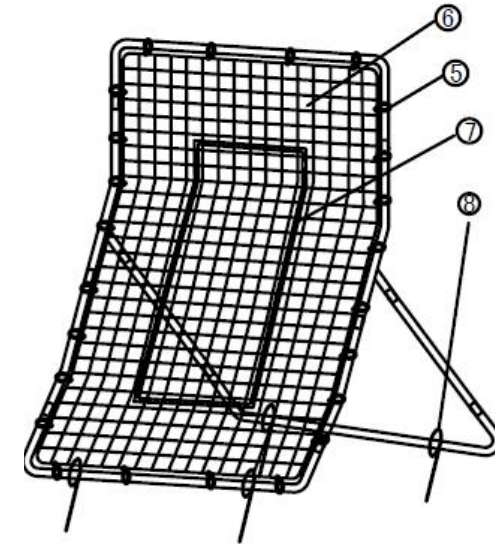
## Assembly Steps

Step 1: Hitch Part 5 & Part 8 onto tubes by elastic ropes , the position is followed picture shows (Picture 1);

Step 2: Joint tubes and ensure the pop ball in tube can jump out of the hole.



Picture 1



Picture 2

Step 3: Hook Part 6 onto Part 5, please make sure that the 4 red labels are in each corners of frame.

Step 4: Round Part 7 through Part 6 as the target area.

Step 5: Please ensure Part 8 is fixed into the earth and the frame is stable on the ground.